



- Supports MOT700x and MOT3000-25 TEC Controller modules
- 3V or 5V operation
- Standalone or host-controlled
- Includes modules and ready to use
- Fully RoHs compliant



Part #	Descriptions
MOT702_20TEC	Dual $\pm 2A$ TEC controller OEM Board, uses MOT7001-20
MOT702_25TEC	Dual $\pm 2.5A$ TEC controller OEM Board, uses MOT3000-25
MOT702_30TEC	Dual $\pm 3A$ TEC controller OEM Board, uses MOT7001-30

Introduction

The MOT702_OEM is designed for applications requiring two or more TEC modules in their systems. It uses two modules on the same board size as a single module.

A single connector (CN2) accommodates all the necessary pins to drive two TEMs.

A second connector (CN10) have all the monitoring and control signals to interface to a micro-controller.

The MOT702_OEM can be used standalone utilizing on-board potentiometers to set target temperature. Connection points are provided which can be used for monitoring object temperature, output current and temperature alarm status, as well as providing external control of temperature and module enable functions.

Please also refer to the MOT700x nad MOT3000-25 series datasheet for further description of the module functionality.



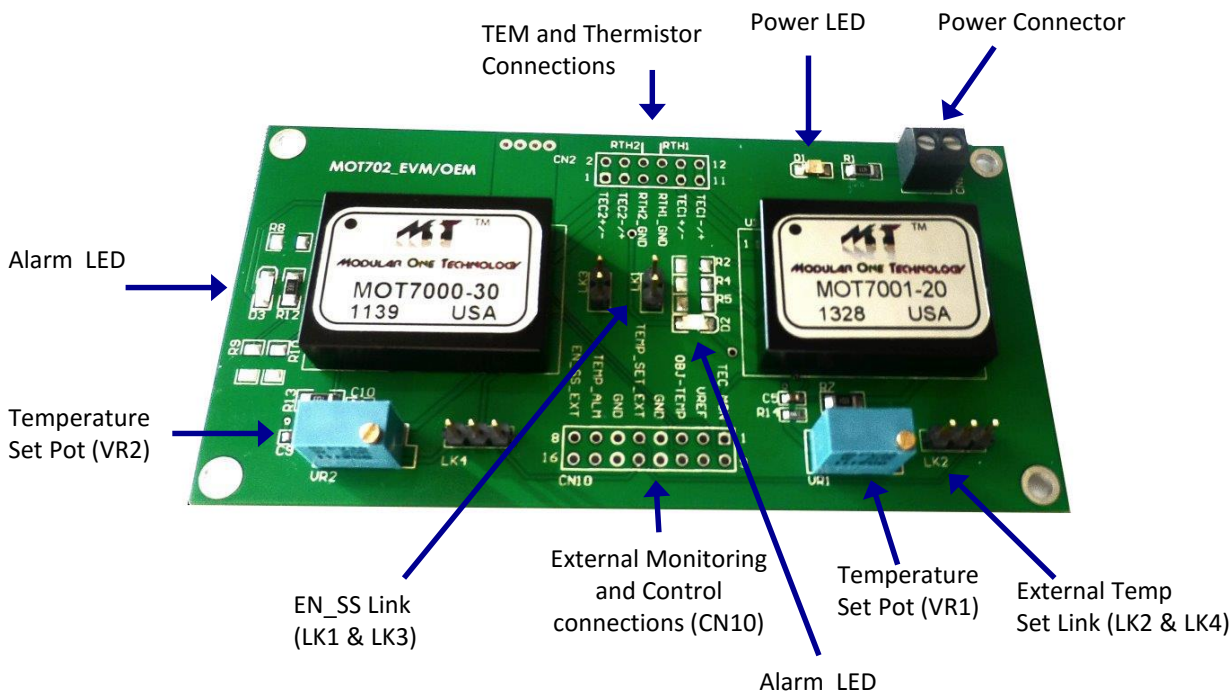
Before applying power to the OEM please ensure that jumpers are set and that VMAX is limited if required for your TEC. (see following pages)



Contents

Overview	1
Component Identification	2
Quick Start	3
Functional Descriptions	
Power Supply	3
TEC Connections / Object Board	4
Maximum Output Voltage / Module Enable	4
Maximum positive & negative current setting	4
Temperature Setting / Temperature Alarm	5
External Monitoring & Control	6
Appendix 1 – OEM Schematics	7

Component Identification





Quick Start

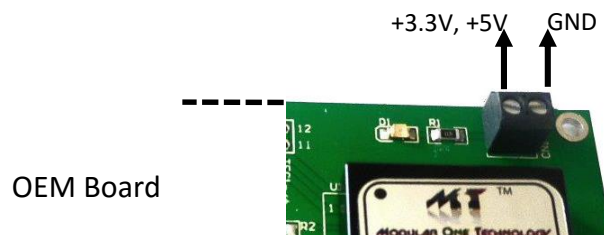
1. Verify the jumper settings:
LK1 & LK3: Leave open to enable the modules
LK2 & LK4: In the default position uses VR1 & VR2 to set temperature. Only move to the optional position if an external control voltage to be used.
3. Add R2 & R8 if necessary (default is open for maximum output voltage).
4. Add R4 & R9 if necessary (default is open for maximum negative current).
5. Add R5 & R10 if necessary (default is open for maximum positive current).
6. Connect the TEC and thermistor and/or Object Board.
7. Attach the power supplies (*be sure to observe correct polarity – see below*)
8. Go!

Note: The Alarm LED will light until the object temperature reaches the set value at which time the LED will go out – typically within 30 seconds

FUNCTIONAL DESCRIPTIONS

Power Supply

An appropriate power supply should be connected to CN1. The supply voltage may be from 3.3V to 5V as required. When supply voltage is present D1 will illuminate green.

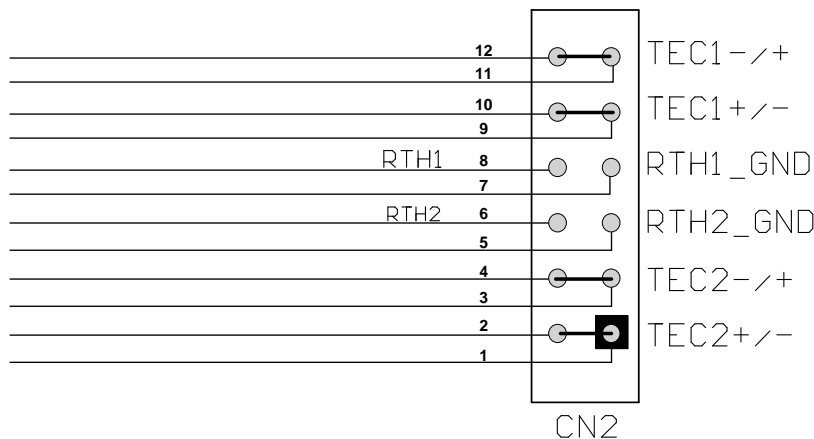




TEC & Thermistor Connections

The TEM is connected via CN2. A temperature feedback thermistor connected to the object being controlled is also connected to CN2.

If the MOTEVM_OBJ board is being used the thermistor is already installed on the board.



Maximum Output Voltage

By default the MOT702_OEM ships with the VMAX_SET pin open, resulting in maximum output voltage swing. In some applications it may be desired to reduce the maximum voltage and this can be accomplished by the addition of a single resistor, R2 for module 1 and R8 for module 2. See the MOT700x data sheet for calculating values for R2 and R8.

Maximum Output positive & negative currents

By default the MOT702_OEM ships with the IMAXP_SET & IMAXN_SET pin open, resulting in maximum output currents. In some applications it may be desired to reduce the maximum currents and this can be accomplished by the addition of resistors, R4, R5 and R9, R10 for module 1 and module 2 respectively.



Be sure to observe the correct polarity for connections to the TEC.

To verify TEC polarity monitor the voltage on the RTH terminal and the center pin on LK2 & LK4 (V_{TEMP_SET}). The voltage at RTH should be moving towards V_{TEMP_SET} . If it is moving away, towards 0V or 3V, then the connections are reversed.



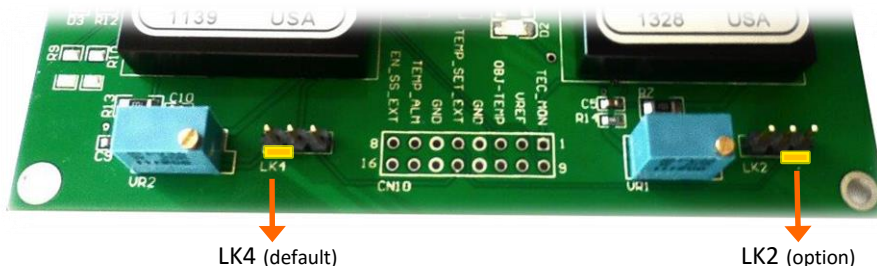
Module Enable

By default the module will power up when a supply voltage is applied (an internal pull-up means the pin may be left open for normal operation). If it is desired to disable the module the EN_SS pin should be connected to GND, which can be accomplished by closing LK1 & LK3. When these links are removed the modules will perform a soft start and resume operation.

The EN_SS signal line is also available on CN10 if external control is required (LK1& LK3 must be open in this case).

Temperature Setting

The required object temperature can be adjusted by means of VR1 & VR2. LK2 & LK4 should be set to the default position for this mode.



Alternatively the object temperature can be set by an external voltage applied to TEMP_SET_EXT on CN10. Pins 1 to 8 on CN10 connect to module 1 (U1) and pins 9 to 16 connect to module 2 (U2). The reference voltage, VREF, is also available on CN10 and can be used as a reference for an external DAC. In this mode LK2 & LK4 should be altered to the optional position.

Notes: Refer to the MOT700x data sheet for relationship between control voltage and object temperature.

If no control voltage is applied to TEMP_SET_EXT internal biasing will set the temperature to approximately 25°C.

Temperature Alarm

Internal circuitry monitors the object temperature and will set an alarm flag when the temperature deviates by more than +/- 1.5° C. D2 (for module 1) & D3 (for module 2) will illuminate red when the alarm is set. The alarm status can also be monitored via TEMP_ALM at CN10.

Once the temperature returns to within limits the flag will automatically reset (D2 & D3 will go off).



External Monitoring and Control

A number of system parameters are available for monitoring, along with several control signal inputs, which would be used when the TEC controller modules are connected to a host controller. For convenience these are grouped together on CN10.

Current Monitor

An analog voltage representing the output current to the TEM.

VREF

Reference voltage output (1.5V).

Object Temperature

An analog voltage representing the temperature of the object being monitored.

Temperature Set Voltage

An analog voltage to set the object temperature. Values from 0 – 1.1V may be applied.

Note: The actual “usable” range of voltage will be somewhat less according to the desired set temperature and module characteristics – see MOT700x data sheet.

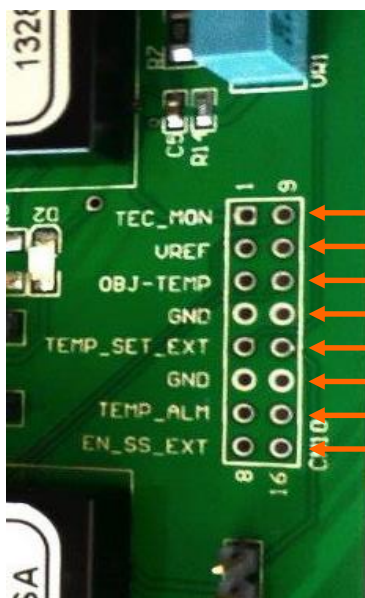
Temperature Alarm

This pin is pulled low when the temperature falls outside a +/-1.5° C window.

Enable / Soft start

A low level voltage puts the module in standby. When releases the module resumes normal operation.

CN10 Pin Identification

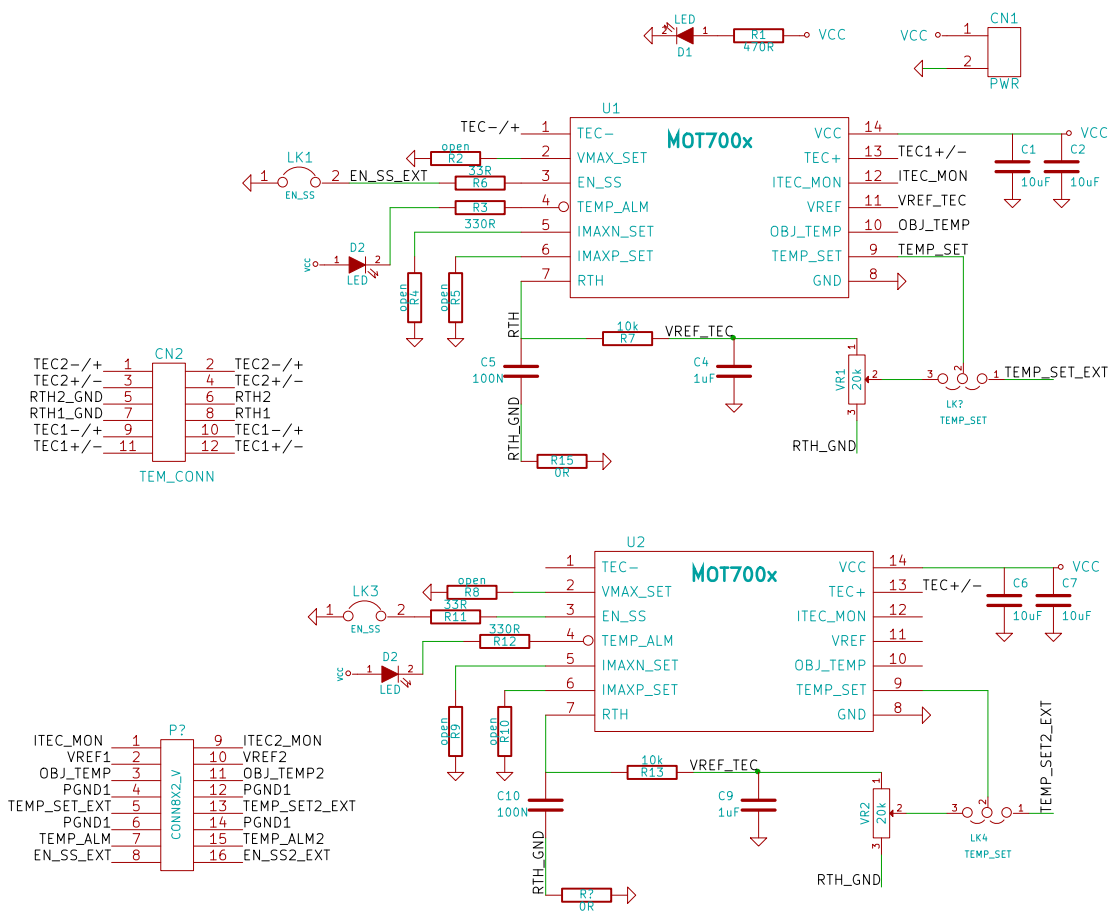


Inputs Outputs

- ← Current Monitor
- ← VREF
- ← Object Temperature
- ← Ground
- ← Temperature Set Voltage
- ← Ground
- ← Temperature Alarm
- ← Enable / Softstart



MOT702_OEM Schematic





IMPORTANT NOTICE

Modularone Technology, LLC, ("M1T") believes that the information contained herein was accurate and reliable at time of writing. However, the information is subject to change without notice and is provided "AS IS" without warranty of any kind (express or implied), and M1T reserves the right to make corrections, modifications, enhancements, improvements, and other changes to its products and services at any time, and to discontinue any product or service without notice. Customers are advised to obtain the latest version of any and all relevant information to verify, before placing orders or beginning development of products based on M1T technologies, that information being relied on is current and complete. All products are sold subject to the terms and conditions of sale supplied at the time of order acknowledgment, including those pertaining to warranty, indemnification, and limitation of liability. No responsibility is assumed by M1T for the use of this information, including use of this information as the basis for development, manufacture or sale of any items, or for infringement of patents or other rights of third parties. This document is the property of M1T; by furnishing this information, M1T grants no license, express or implied, under any patents, mask work rights, copyrights, trademarks, trade secrets or other intellectual property rights. M1T owns the copyrights associated with the information contained herein and gives consent for copies to be made of the information only for use within your organization with respect to M1T modules, software, design files and any other products of M1T. This consent does not extend to other copying such as copying for general distribution, advertising or promotional purposes, or for creating any work for resale. Resale of M1T products or services with statements different from or beyond the parameters stated by M1T for that product or service voids all express and any implied warranties for the associated M1T product or service and is an unfair and deceptive business practice. M1T is not responsible or liable for any such statements.

CERTAIN APPLICATIONS USING SEMICONDUCTOR PRODUCTS MAY INVOLVE POTENTIAL RISKS OF DEATH, PERSONAL INJURY, OR SEVERE PROPERTY OR ENVIRONMENTAL DAMAGE.

CRITICAL APPLICATIONS. M1T PRODUCTS ARE NOT DESIGNED, AUTHORIZED OR WARRANTED FOR USE IN AIRCRAFT SYSTEMS, MILITARY APPLICATIONS, PRODUCTS SURGICALLY IMPLANTED INTO THE BODY, AUTOMOTIVE SAFETY OR SECURITY DEVICES, LIFE SUPPORT PRODUCTS OR OTHER CRITICAL APPLICATIONS. INCLUSION OF M1T PRODUCTS IN SUCH APPLICATIONS IS UNDERSTOOD TO BE FULLY AT THE CUSTOMER'S RISK AND M1T DISCLAIMS AND MAKES NO WARRANTY, EXPRESS, STATUTORY OR IMPLIED, INCLUDING THE IMPLIED WARRANTIES OF MERCHANTABILITY AND FITNESS FOR PARTICULAR PURPOSE, WITH REGARD TO ANY M1T PRODUCT THAT IS USED IN SUCH A MANNER. IF THE CUSTOMER OR CUSTOMER'S CUSTOMER USES OR PERMITS THE USE OF M1T PRODUCTS IN CRITICAL APPLICATIONS, CUSTOMER AGREES, BY SUCH USE, TO FULLY INDEMNIFY M1T, ITS OFFICERS, DIRECTORS, EMPLOYEES, DISTRIBUTORS AND OTHER AGENTS FROM ANY AND ALL LIABILITY, INCLUDING ATTORNEYS' FEES AND COSTS, THAT MAY RESULT FROM OR ARISE IN CONNECTION WITH THESE USES.

ModularOne Technology, M1T and the Modular One logo are trademarks of Modularone Technology, LLC. All other brand and product names in this document may be trademarks or service marks of their respective owners.

Contact Information:

Modular One Technology
5902 Wessex Court
Parker TX 75002

Phone: 214-566-3708
Email: info@modularonetechnology.com
Web: www.modularonetechnology.com